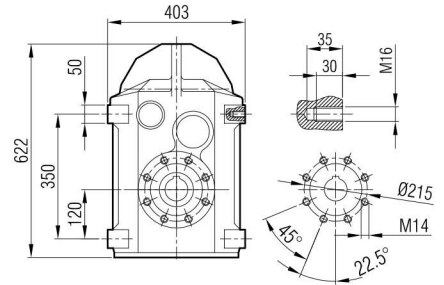
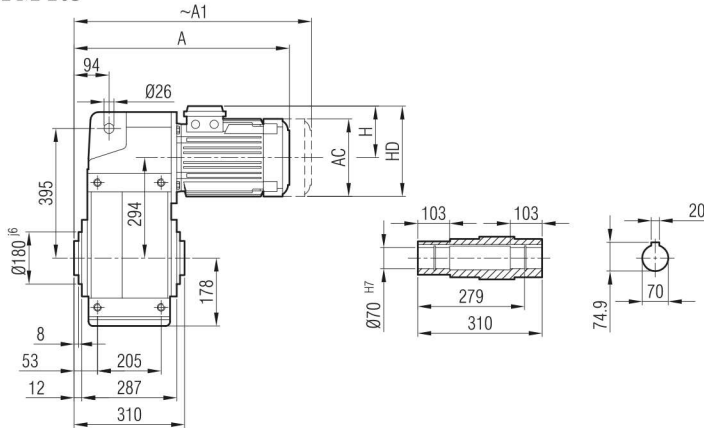


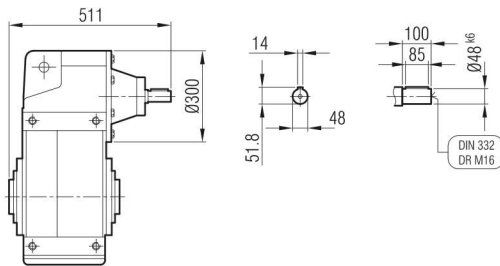


**YPM 102**  
**YPM 103**



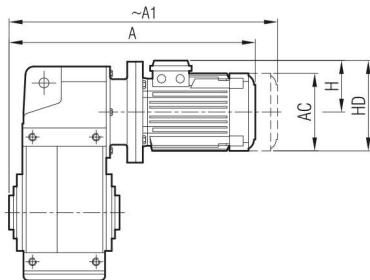
	100	112	132 S	132 M	160 M	160 L	180 M	180 L	200
A	582	604	656	694	784	828	847	885	920
A <sub>1</sub>	660	687	756	794	899	943	967	1005	1040
H	134	145	168	168	220	220	241	241	277
HD	234	257	300	300	380	380	421	421	477
AC	194	218	257	257	310	310	348	348	390

**YP 102**  
**YP 103**



"A<sub>1</sub>" Ölçüsü Frenli Motorlar içindir.  
Dimension "A<sub>1</sub>" is for motors with brake.  
Le dimensions "A<sub>1</sub>" correspondent aux moteurs équipés de freins.

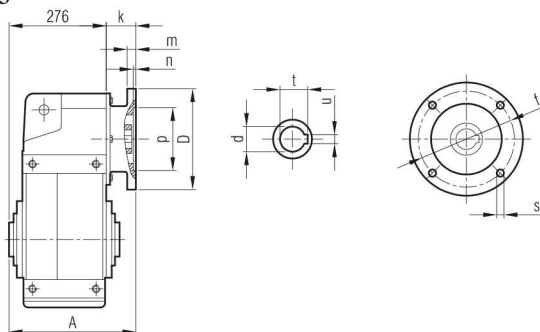
**YPPM 102**  
**YPPM 103**



	90 S/B5	90 L/B5	100/ B5	112/ B5	132 S/B5	132 M/B5	160 M/B5	160 L/B5	180 M/B5	180 L/B5	200/B5
A	584	609	650	670	751	789	877	921	934	972	1072
A <sub>1</sub>	650	675	728	753	851	889	992	1036	1054	1092	1192
H	126	126	134	145	168	168	220	220	241	241	277
HD	216	216	234	257	300	300	380	380	421	421	477
AC	176	176	194	218	257	257	310	310	348	348	390

"A<sub>1</sub>" Ölçüsü Frenli Motorlar içindir.  
Dimension "A<sub>1</sub>" is for motors with brake.  
Le dimensions "A<sub>1</sub>" correspondent aux moteurs équipés de freins.

**YPP 102**  
**YPP 103**



	A	Øp	Øf	ØD	s	k	m	n	Ød	t	u
90/B5	325	130	165	200	M10	49	12	5	24	27.3	8
100/B5	334	180	215	250	M12	58	14	5	28	31.3	8
112/B5	334	180	215	250	M12	58	14	5	28	31.3	8
132/B5	371	230	265	300	M12	95	17	6	38	41.3	10
160/B5	387	250	300	350	M14	111	18	6.5	42	45.3	12
180/B5	387	250	300	350	M14	111	18	6.5	48	51.8	14
200/B5	435	300	350	400	M16	159	20	6.5	55	59.3	16